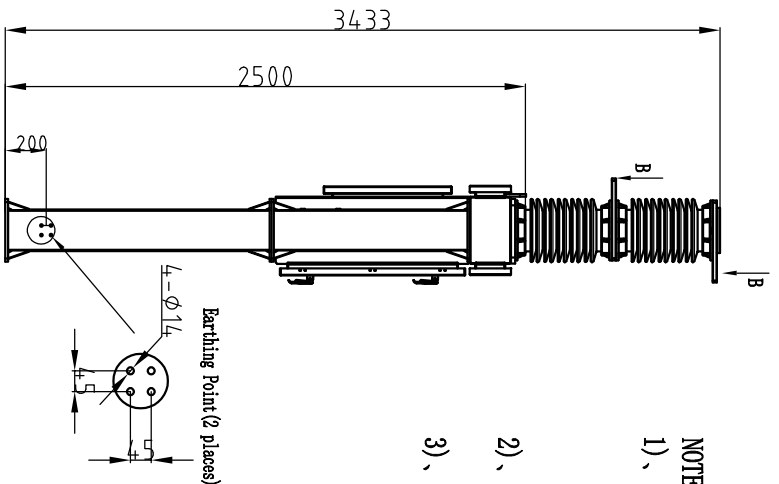
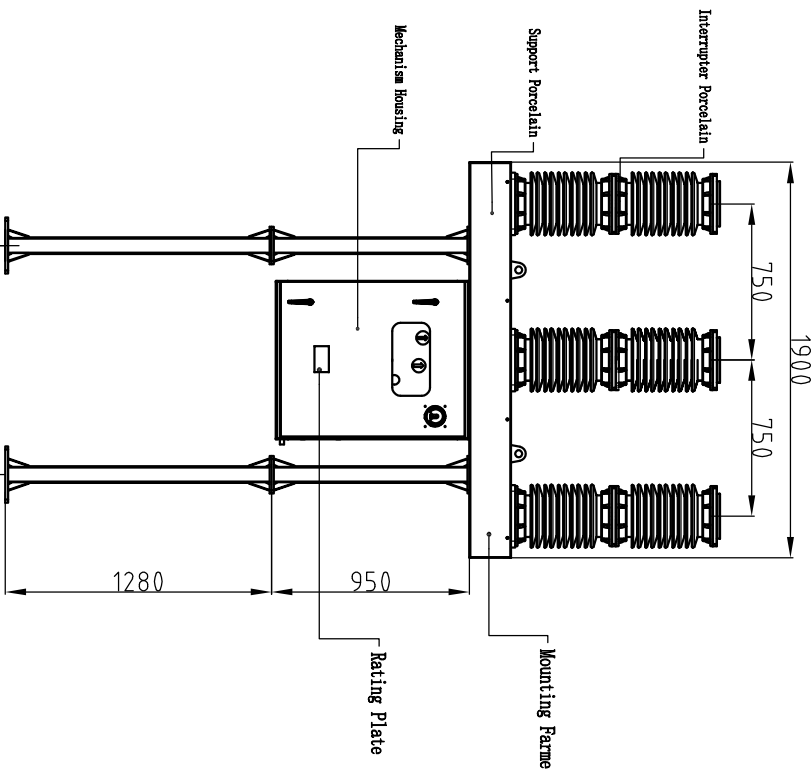
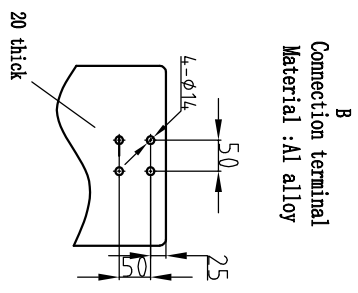


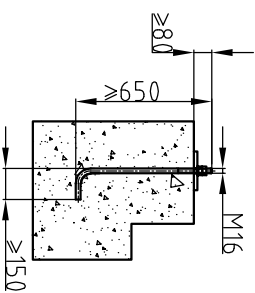
REVISIONS TO BE MADE BY: _____
 CHECKED BY: _____
 DATE: _____



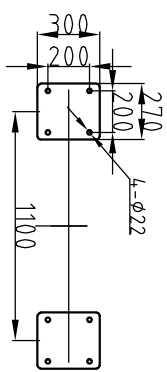
- NOTE:
- 1)、Foundation static load: 8000N
Foundation dynamic load:
horizontal direction: 3000N
Vertical direction (upward): 13000N, including self weight
The levelness of each base surface shall not exceed 2mm
 - 2)、The height difference of the foundation shall not exceed 2mm
 - 3)、Weight: 800KG



Anchor bolt
(Providing by client)



Installation size



Main technical parameters of the product

Item	Unit	Parameters
Rated voltage	kV	up to 41.5
Rated frequency	Hz	50
Rated current	A	up to 800
Rated short-time withstand current, up to 3 s	kA	31.5
Rated peak withstand current	kA	80
Rated short-duration power-frequency withstand voltage, 1 min	kV	95
Power-frequency withstand voltage, 1 min across open contacts	kV	95
Rated lightning impulse withstand voltage, 1.2/50 μs	kV	170
Rated lightning impulse withstand voltage, 1.2/50 μs across open contacts	kV	170
Rated lightning impulse withstand voltage, 1.2/50 μs across open contacts	kV	170
Rated filling pressure (abs. at 20 °C) circuit-breaker / other components	MPa	0.5
Minimum functional pressure (abs. at 20 °C) circuit-breaker / other components	MPa	0.4
Temperature range (ambient)	°C	-30...+40
Type of installation		outdoor
Partial discharge capacity	PC	5
SFB leakage rate per year		0.5%
Maintenance cycle	Year	30



RHB-4.0.5

DESIGN :	DESIGNED & CHECKED BY :	DWG. NO. :	PAGE :
APPROVED :	APPROVED BY :	FILE NO. :	TOTAL PAGE :
DATE :			