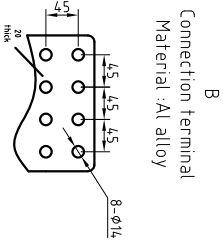
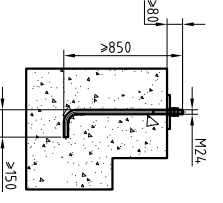
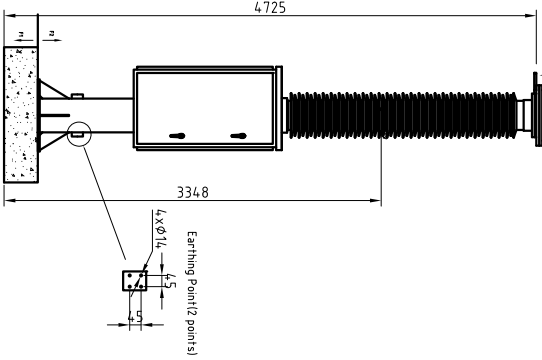
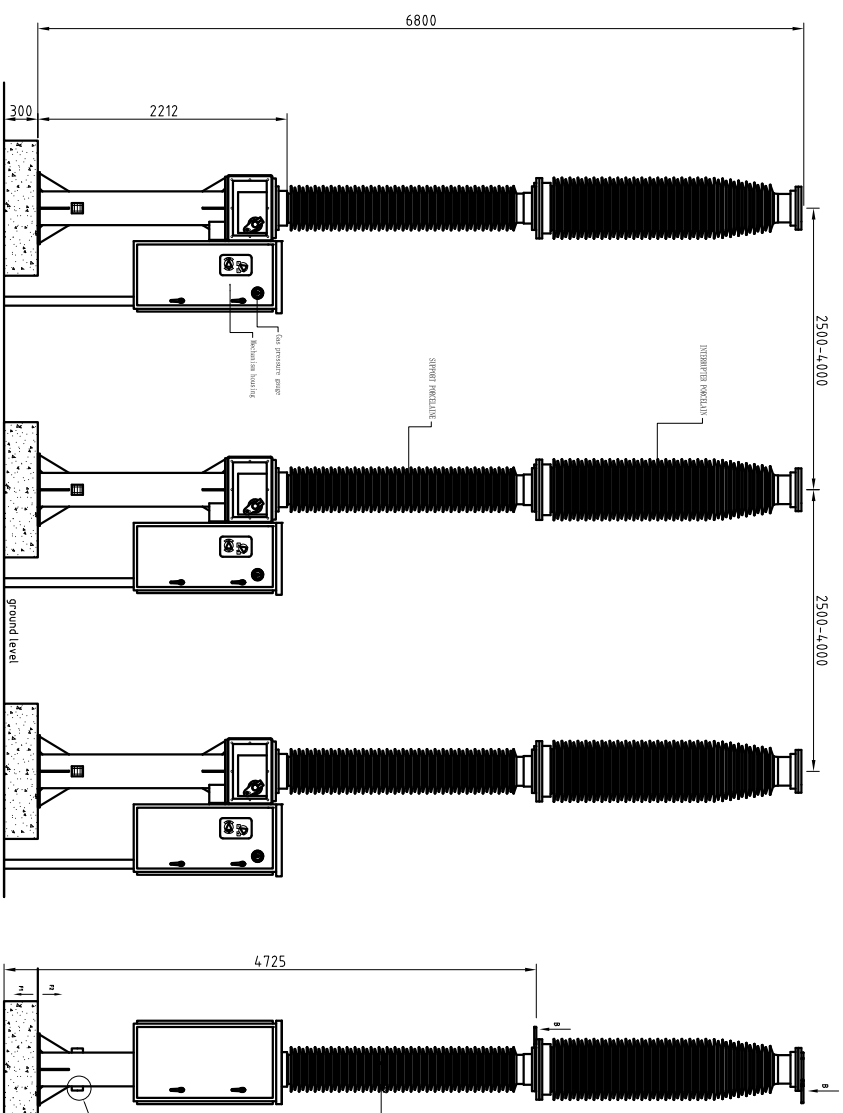


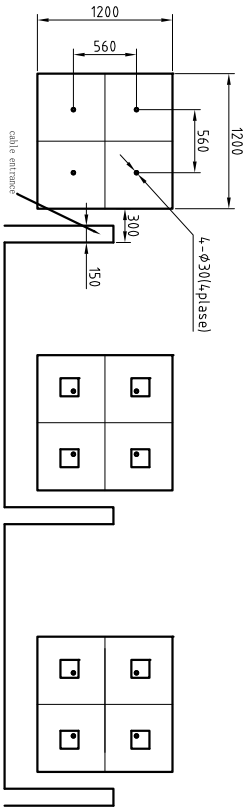
QUALITY IS SUBMITTED TO/PER
 FOR APPROVAL
 FOR APPROVAL OF CUSTOMER
 FOR APPROVAL OF PROJECT MANAGER
 FOR APPROVAL OF DESIGNER
 FOR APPROVAL OF CONTRACTOR



- NOTE:
- 1) Foundation static load: 40000N
Foundation dynamic load:
horizontal direction: 22000N
Vertical direction (upward): 50000N, including self weight
 - 2) The height difference of the foundation shall not exceed 2mm
The levelness of each base surface shall not exceed 2mm
 - 3) Weight: 4000KG
 - 4) Package size: 1: 5200x700x700 (3 pcs)
Package size 2: 2500x900x2400

Main technical parameters of the product

Item	Unit	Parameter
Rated voltage	kV	24.5
Rated frequency	Hz	50/60
Rated current	A	up to 4000
Rated short-time withstand current, up to 3 s	kA	40.50/63
Rated peak withstand current	kA	100.125
Rated short-circuit power-frequency withstand voltage, 1 min	kV	4.60
Power-frequency withstand voltage, 1 min across open contacts	kV	5.80
Rated lightning impulse withstand voltage, 1.2/50 μs	kV	4.60
Rated lightning impulse withstand voltage, 1.2/50 μs, across open contacts	kV	1050
Rated filling pressure (abs. at 20 °C) circuit-breaker	Mpa	0.6/0.6
Minimum functional pressure (abs. at 20 °C) circuit-breaker	Mpa	0.5/0.5
Temperature range (ambient)	°C	-30...+40
Type of installation		outdoor
Partial discharge capacity	PC	<5
SF6 leakage rate per year	%	<0.5%
Paintance cycle	Year	30



Permissible max strength on the terminals	1250N
Horizontal tensile strength	1000N
Transverse horizontal strength	1250N
Vertical strength	825KG
Mass of one complete interrupting part	215KG
Mass of the frame	260KG
Mass of springs control mechanism	50KG
Mass of centerizing cubicle	4090KG
Mass of the circuit breaker with frame	250N
FY strength due to the wind over the pole trust center	3048mm
Height of granite centre	50500N
Maximum strength (static-dynamic) on every fixing point	Downward F1: 40500N Upward F2: 32000N
Total strength on foundation (upward F2)	6000N
Overturning torque on foundation	3600NM

FW ROCKWELL
 WENZHOU ROCKWELL ELECTRIC CO. LTD.

DESIGNED & CHECKED BY: [Signature]
 APPROVED BY: [Signature]

DATE: [Date]

DWG. NO.: [Number]
 FILE: [Name]

SCALE: [Scale]

PAGE: [Page Number]
 TOTAL PAGE: [Total Pages]