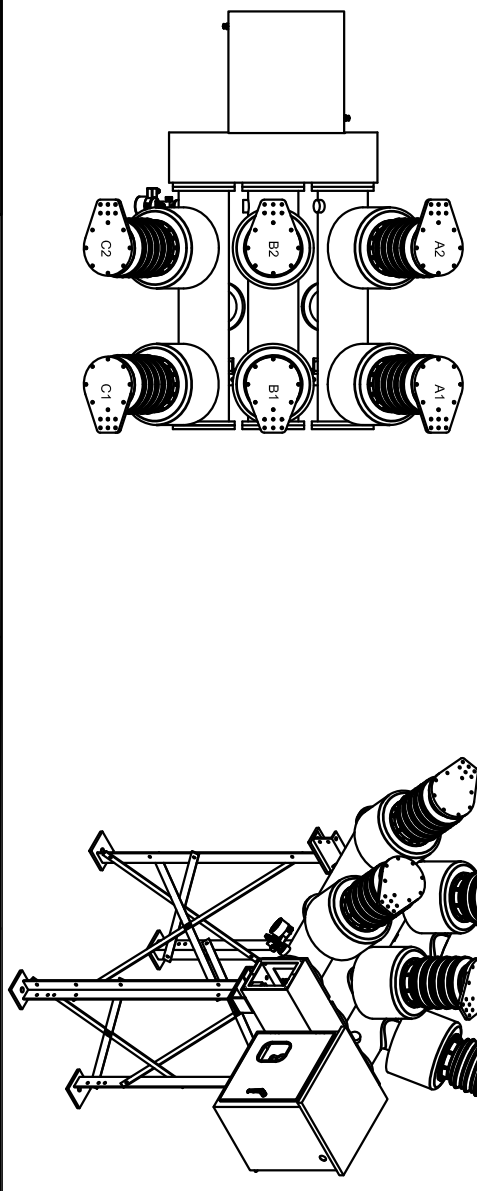
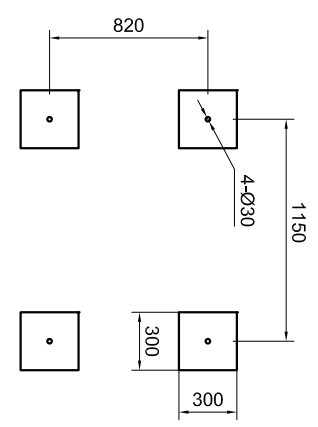
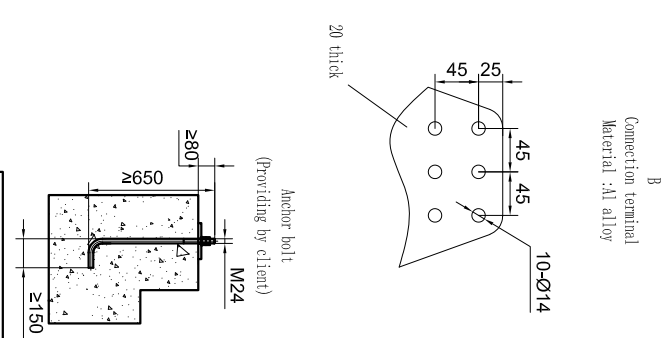
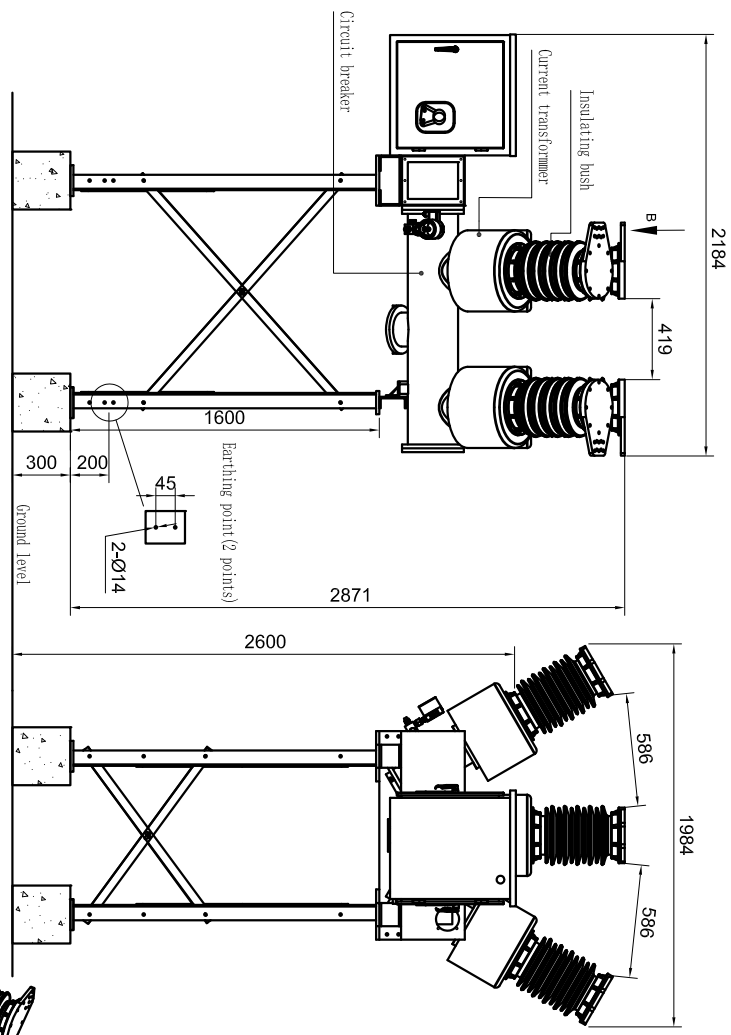


DESIGNED BY:  CHECKED BY:  DRAWN BY:  DATE:

REVISIONS:  NO.  DATE:

SCALE:

- Technical requirements:
- Total weight: 1100 Kg
  - Foundation static load: 11000 N
  - Foundation dynamic load:
    - Horizontal direction: 3000 N
    - Vertical direction (upward): 21000 N (including self weight);
  - The height difference of the foundation shall not exceed 2mm;
  - The levelness of each base surface shall not exceed 2mm.
  - Package size :2300x2100x1500 (l pss)



Main technical parameters of the product

Item	Unit	Parameter
Rated voltage	kV	40.5
Rated frequency	Hz	50/60
Rated current	A	up to 3150
Rated short-time withstand current, up to 3 s	kA	31.5
Rated peak withstand current	kV	95
Rated short-circuit power-frequency withstand voltage, 1 min	kV	110
Rated frequency withstand voltage, 1 min across open contacts	kV	165
Rated lightning impulse withstand voltage, 1.2/50 μs	kV	215
Rated lightning impulse withstand voltage, 1.2/50 μs, across open contacts	kV	0.5
Rated filling pressure (abs. at 20 ° C) circuit-breaker	Mpa	0.4
Minimum functional pressure (abs. at 20 ° C) circuit-breaker	Mpa	-30...+10
Temperature range (ambient)	° C	-30...+40
Type of installation	PC	outdoor
Partial discharge capacity	PC	≤3
SFR Leakage rate per year		<0.5%
Maintenance cycle	Year	30

**RW ROCKWELL**

WENZHOU ROCKWELL ELECTRIC CO.,LTD.

**RHD-40.5**

DESIGNED BY:  CHECKED BY:  DRAWN BY:  DATE:

DWG. NO.

SCALE:

PAGE:

TOTAL PAGE: