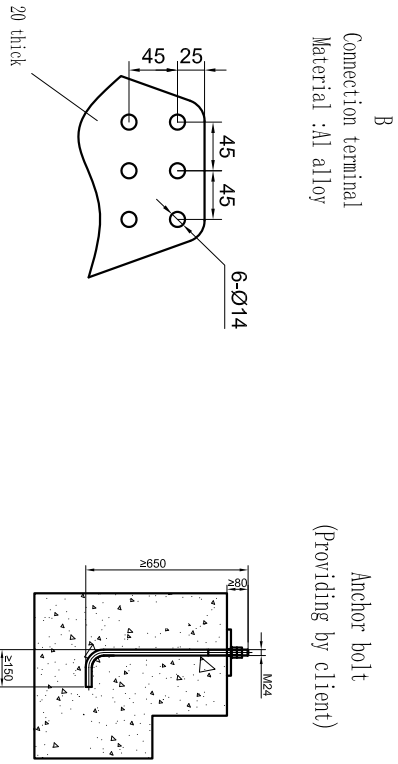
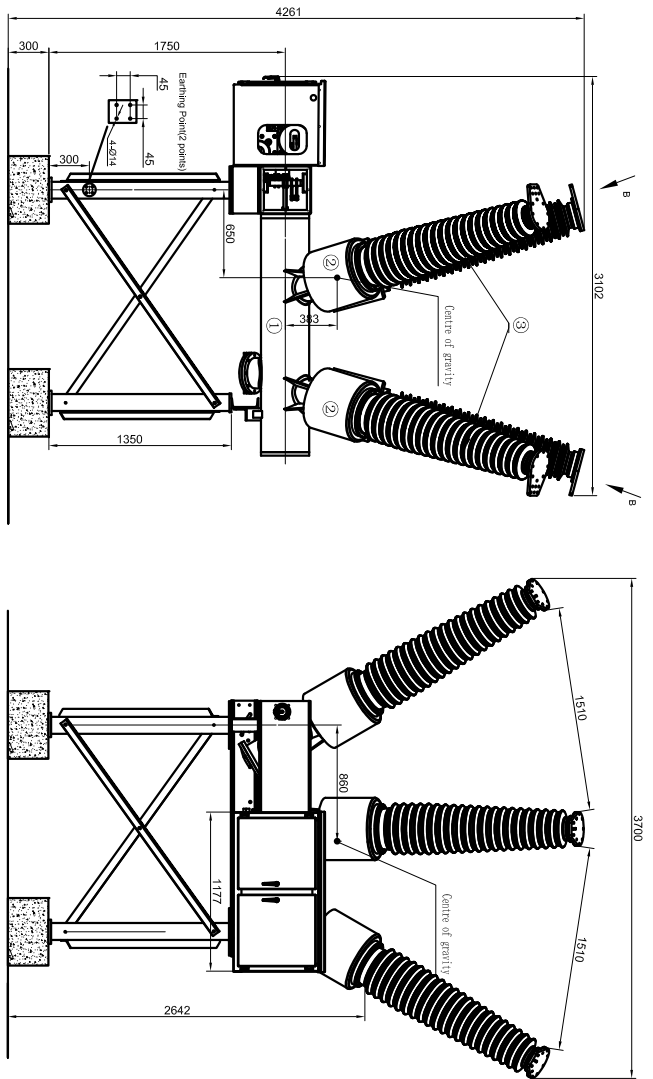
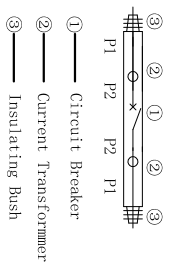
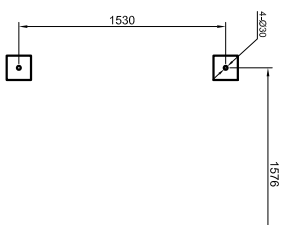
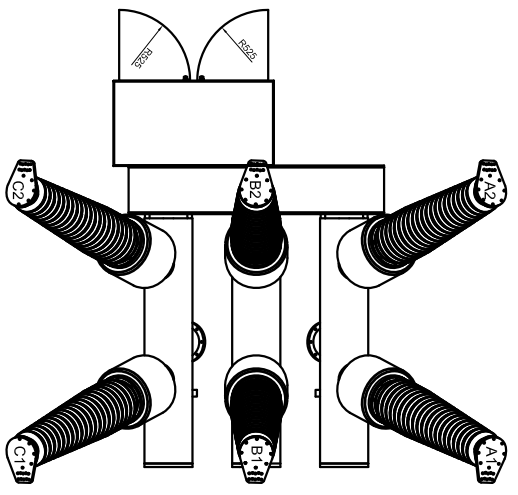


DESIGNED BY: CHECKED BY: APPROVED BY: DATE:



- Technical requirements:
- 1, Total weight: 2300 Kg
 - 2, Foundation static load: 23000 N
 - 3, The height difference of the foundation shall not exceed 2mm. The levelness of each base surface shall not exceed 2mm.
- Horizontal direction: 4000N
 Vertical direction (upward): 33000N (including self weight);



Current transformer	Current ratio	Accuracy class	RF
P1	MR 1200 / 5	CA00	2.0
P2			

Main technical parameters of the product		
Item	Unit	Parameter
Rated voltage	kV	18
Rated frequency	Hz	50/60
Rated current	A	up to 3150
Rated short-time withstand current	kA	40
Rated peak withstand current	kA	100
Rated short-circuit power-frequency withstand voltage	kV	27.5
Power-frequency withstand voltage	kV	27.5
Rated lightning impulse withstand voltage	kV	650
Rated lightning impulse withstand voltage	kV	650
Rated filling pressure (abs. at 30 °C, circuit-breaker)	MPa	0.6
Rated filling pressure (abs. at 30 °C, circuit-breaker)	MPa	0.5
Ultimate functional pressure (abs. at 30 °C, circuit-breaker)	MPa	
Temperature range (ambient)	°C	-30...+40
Temperature range (switch)	°C	
Type of installation		outdoor
Partial discharge capacity	PC	≤5
SF6 leakage rate per year		≤0.5%
Maintenance cycle	Year	30

DESIGNED & CHECKED BY: **APPROVED BY:**

DATE: **DATE:**

DRWG. NO.: **FILE:**

PAGE: **TOTAL PAGE:**

RHD-145

WENZHOU ROCKWILL ELECTRIC CO.,LTD.