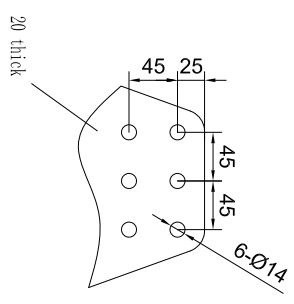
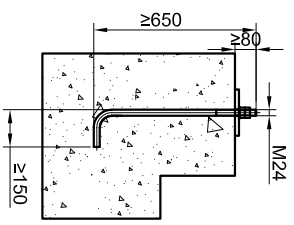


B
Connection terminal
Material : Al alloy



Anchor bolt
(Providing by client)

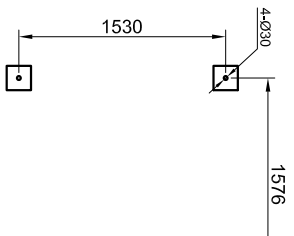
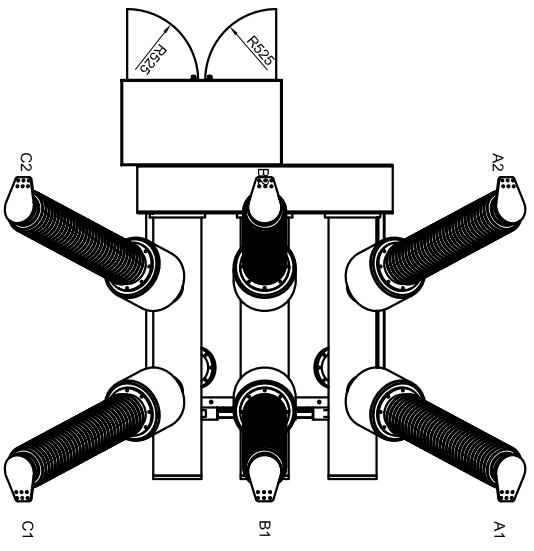


Technical requirements:

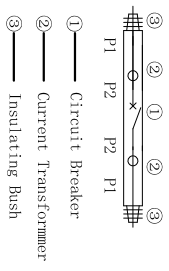
- 1, Total weight: 2300 Kg
- 2, Foundation static load: 230000 N
- 3, The height difference of the foundation shall not exceed 2mm.
The levelness of each base surface shall not exceed 2mm.

Horizontal direction: 4000N

Vertical direction (upward): 33000N (including self weight);



Installation foundation



Current transformer	Current ratio	Accuracy class	RF
P1	MR 1200 / 5	CA00	2.0
P2			

Main technical parameters of the product

Item	Unit	Parameter
Rated voltage	kV	18
Rated frequency	Hz	50/60
Rated current	A	up to 3150
Rated short-circuit withstand current, up to 3 s	kA	40
Rated peak withstand current	kA	100
Rated short-circuit power-frequency withstand voltage, 1 min	kV	325
Power-frequency withstand voltage, 1 min across open contacts	kV	325
Rated lightning impulse withstand voltage, 1.2/50 μs	kV	750
Rated lightning impulse withstand voltage, 1.2/50 μs across open contacts	kV	750
Rated filling pressure (abs. at 30 °C) circuit-breaker	MPa	0.6
Minimum functional pressure (abs. at 30 °C) circuit-breaker	MPa	0.5
Temperature range (ambient)	°C	-50...+40
Type of installation		outdoor
Partial discharge capacity	PC	≤5
SFB leakage rate per year		≤0.5%
Maintenance cycle	Year	30

WENZHOU ROCKWELL ELECTRIC CO.,LTD.

APPROVED BY:

RHD-170

DESIGNED & CHECKED BY:

APPROVED BY:

DATE:

DATE:

DATE: NO.

FIG: :

PAGE

TOTAL PAGE