

1

2

3

4

5

6

A

B

C

D

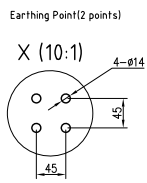
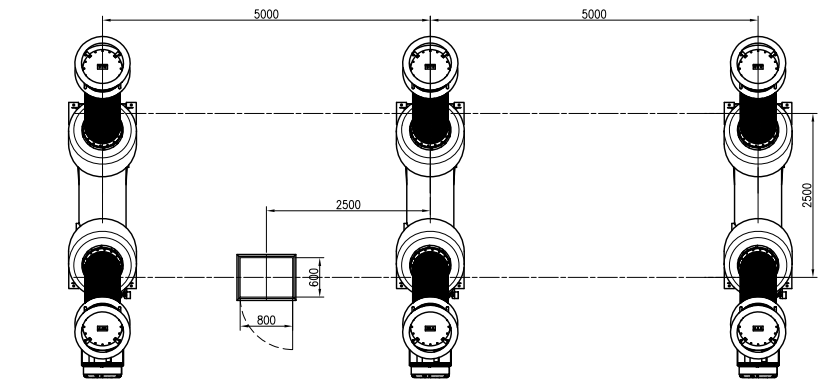
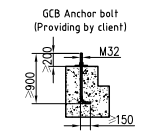
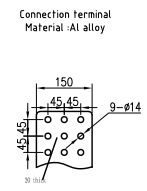
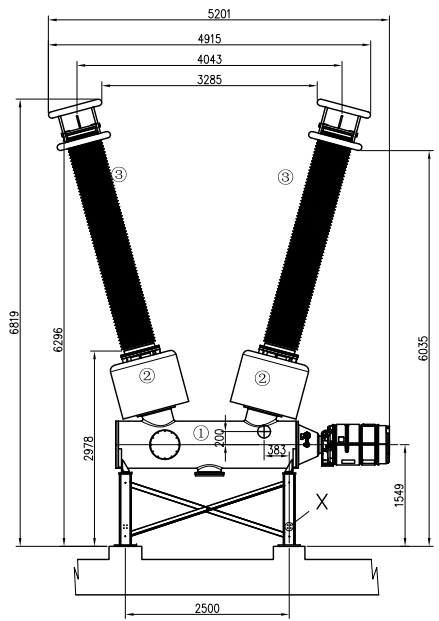
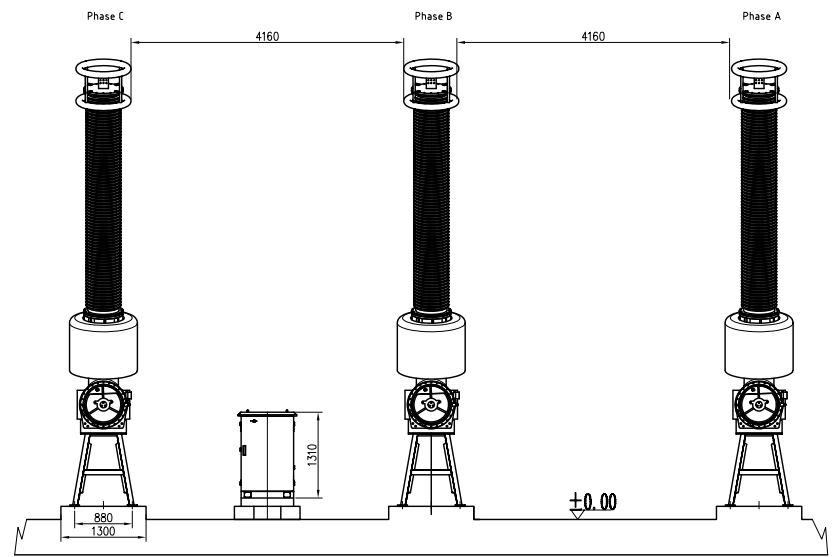
DRAWING IS SUBMITTED TO/FOR:

SUBMITTED BY: \_\_\_\_\_

FOR APPROVAL:  REVISION

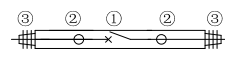
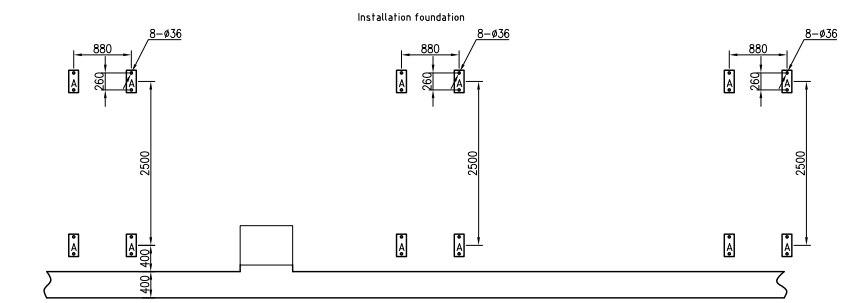
APPROVED w/ COMMENTS:  FOR PRODUCTION

APPROVED BY: \_\_\_\_\_ DATE: \_\_\_\_\_



Technical requirements:

- Total weight: 4500\*3 Kg
- The height difference of the foundation shall not exceed 2mm; The levelness of each base surface shall not exceed 2mm.



Line side	Position	Parameter

Transformer side	Position	Parameter

mass	Static load			Dynamic load	
	X(kN)	Y(kN)	Z(kN)	Opening Z(kN)	Closing Z(kN)
A	±50	±6.5	+50/-30	-8	8

Main technical parameters of the product		
Item	Unit	Parameter
Rated voltage	kV	362
Rated frequency	Hz	50/60
Rated current	A	up to 5000
Rated short-time withstand current, up to 3 s	kA	50/63
Rated peak withstand current	kA	125/175
Rated short-circuit power-frequency withstand voltage, 1 min	kV	555
Power-frequency withstand voltage, 1 min across open contacts	kV	555
Rated lightning impulse withstand voltage, 1.2/50 μs	kV	1300
Rated lightning impulse withstand voltage, 1.2/30 μs, across open contacts	kV	1300
Rated filling pressure (abs. at 20 °C circuit-breaker)	MPa	0.6
Minimum functional pressure (abs. at 20 °C circuit-breaker)	MPa	0.5
Temperature range (ambient)	°C	-40...+40
Type of installation		outdoor
Partial discharge capacity	PC	<3
SP8 leakage rate per year		<0.3%
Maintenance cycle	Year	30



PROJECT:

APPROVED BY:

TITLE

RHD-362

REVISION

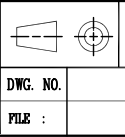
01	
----	--

DRAWN : \_\_\_\_\_

DESIGNED & CHECKED BY : \_\_\_\_\_

APPROVED : \_\_\_\_\_

DATE : \_\_\_\_\_



SCALE

PAGE

TOTAL PAGE