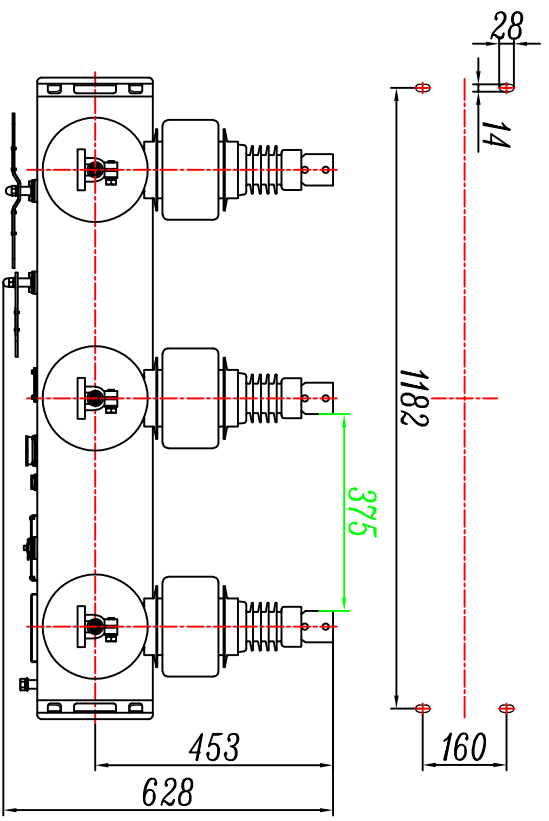
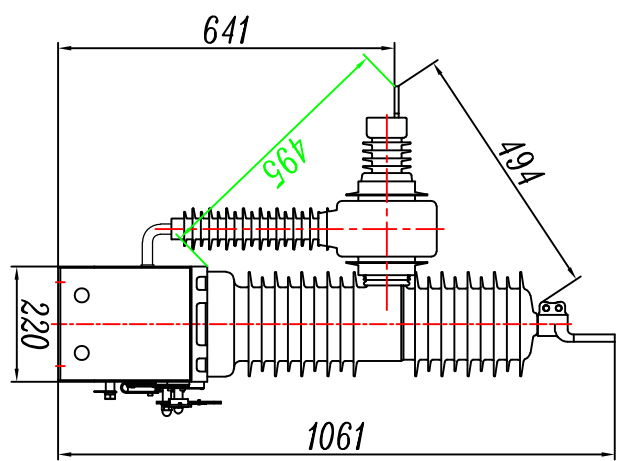
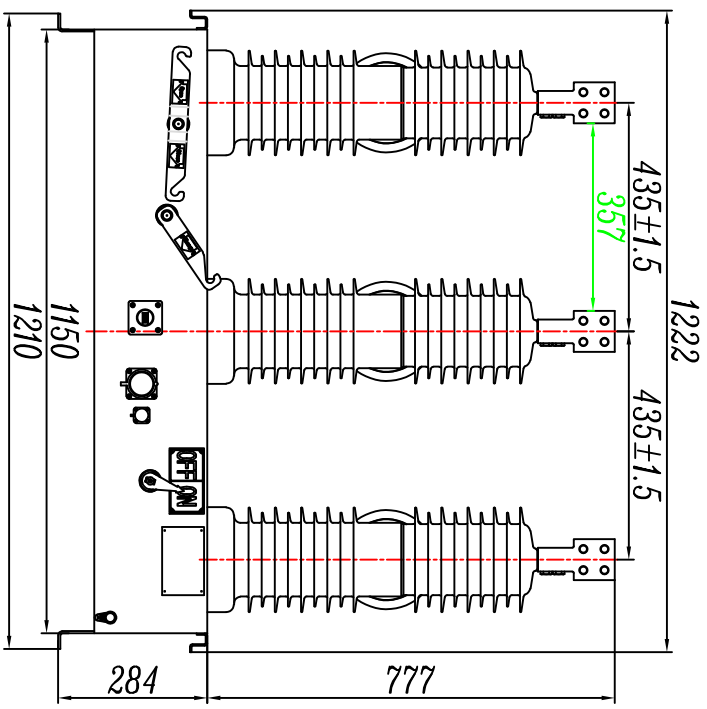


REVISION IS SUBMITTED TO/FR:

APPROVED BY:	REVISION NO.:	DATE:
<input type="checkbox"/>	<input type="checkbox"/>	<input type="checkbox"/>
<input checked="" type="checkbox"/>	<input checked="" type="checkbox"/>	<input checked="" type="checkbox"/>
<input type="checkbox"/>	<input type="checkbox"/>	<input type="checkbox"/>

Main Parameters :

- 1): 38kV 1250A 50Hz Vacuum Auto Recloser;
- 2): STC: 20kA/3s
- 3): BIL 170kV
- 4): With 3pcs in-built CT (400/1A)
- 5): With 3pcs voltage sensor
- 6): With controller and control cable 7m
- 7): With operation counter
- 8): Clearance between Phase to phase: >357mm
- 9): Clearance between phase to earth : >495mm
- 10): Mechanism operation voltage: DC220V
- 11): Control voltage: DC24V
- 12): Operation sequence: 0-0.3s-C0-180s-C0
- 13): The creepage distance of fracture is 1300mm, and creepage distance(phase to earth) :1250mm
- 14): IEC standard: IEC62271-111



Rockwell	WENZHOU ROCKWILL ELECTRIC CO. LTD.	PROJECT:	APPROVED BY:	TITLE
		Size for RCM-E38N/1250-20		
		REVISION		
		01		
		DATE : 01/4/2025		
		Page 1: Total 1 pages		
		SCALE:		
		DRAWN : _____		
		CHECKED BY: _____		
		APPROVED: _____		
		DATE : _____		
		DWG. NO. _____		
		SHEET NO. _____		
		1		