

REVISION IS SUBMITTED TO/ BY:

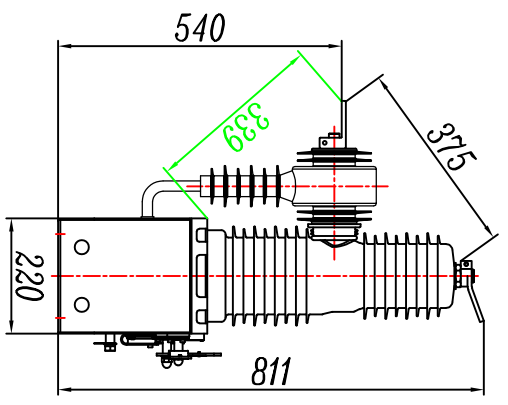
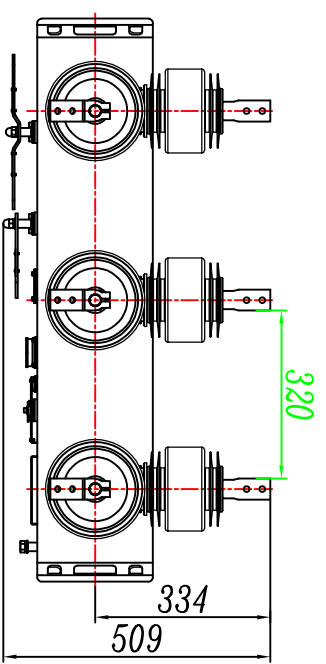
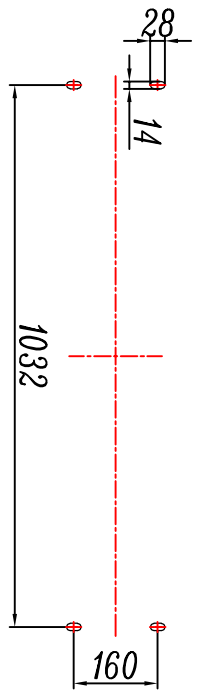
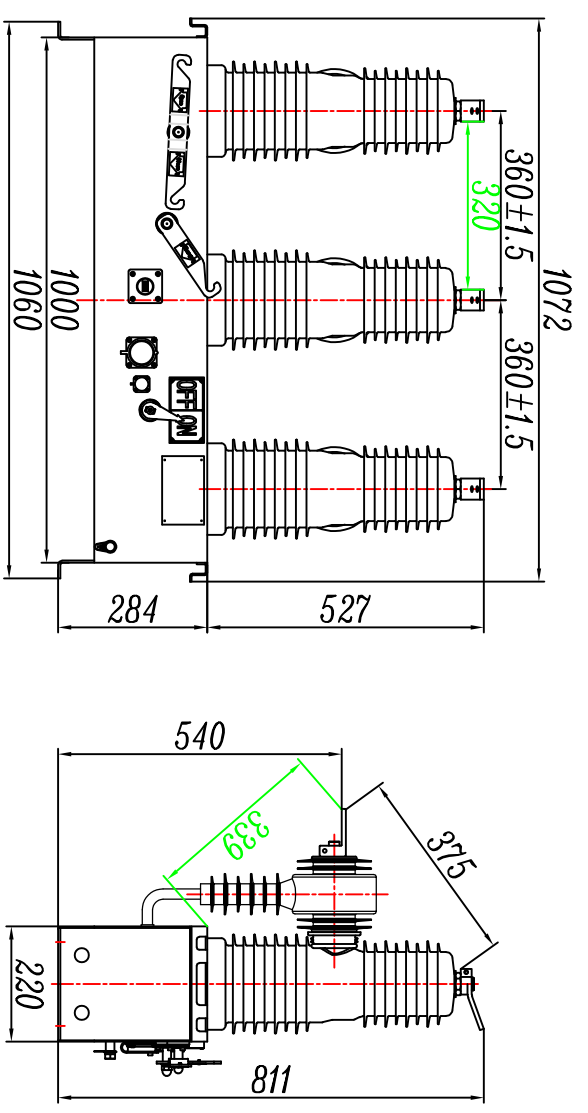
APPROVED BY:  RE-APPROVED BY:

DESIGNED BY:  CHECKED BY:

DRAWN BY:  DATE:

**Main Parameters :**

- 1): 15kV 630A 50Hz Vacuum Auto Recloser;
- 2): STC: 20kA/3s
- 3): BIL 110kV
- 4): With 3pcs in-built CT (400/1A)
- 5): With 3pcs voltage sensor
- 6): With controller and control cable 7m
- 7): With operation counter
- 8): Clearance between Phase to phase: >320mm
- 9): Clearance between phase to earth : >339mm
- 10): Mechanism operation voltage: DC220V
- 11): Control voltage: DC24V
- 12): Operation sequence: 0-0.3s-C0-180s-C0
- 13): The creepage distance of fracture is 995mm, and creepage distance(phase to earth) :590mm
- 14): IEC standard: IEC62271-111



<p><b>WENZHOU ROCKWILL ELECTRIC CO. LTD.</b></p>		PROJECT:	APPROVED BY:	DATE:
<p>Size for RCM-E15N/630-20</p>		<p>SCALE: </p>		
<p>REVISION:</p>		<p>DATE: 01/14/2025</p>		
<p>01</p>		<p>Page 1: Total 1 pages</p>		
<p>1</p>		<p>1</p>		