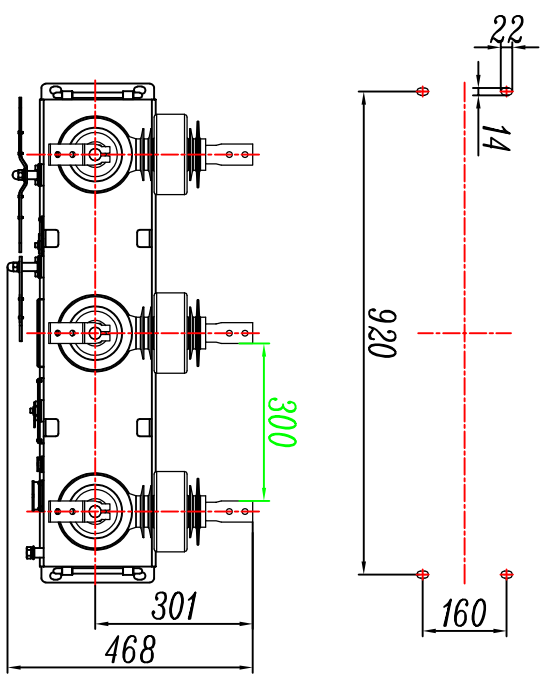
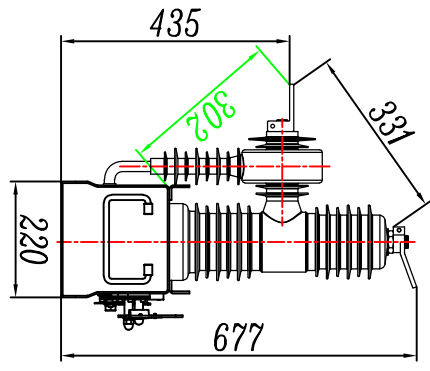
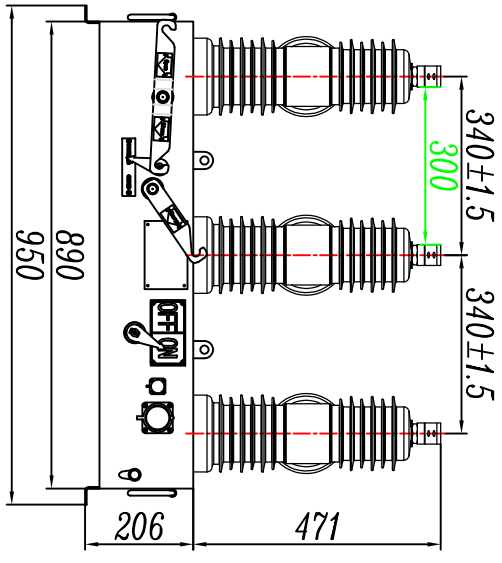


REVISION IS SUBMITTED TO/ BY:

APPROVED BY:	REVISION NO.:	DATE:
<input type="checkbox"/> REWORK	<input type="checkbox"/> REVISION	<input type="checkbox"/> REWORK
<input checked="" type="checkbox"/> APPROVED	<input checked="" type="checkbox"/> REVISION	<input checked="" type="checkbox"/> REWORK

Main Parameters :

- 1): 12kV 630A 50Hz Vacuum Auto Recloser;
- 2): STC: 20kA/3s
- 3): BIL 75kV
- 4): With 3pcs in-built CT (400/1A)
- 5): With 3pcs voltage sensor
- 6): With controller and control cable 7m
- 7): With operation counter
- 8): Clearance between Phase to phase: >300mm
- 9): Clearance between phase to earth : >302mm
- 10): Mechanism operation voltage: DC220V
- 11): Control voltage: DC24V
- 12): Operation sequence: 0-0.3s-C0-180s-C0
- 13): The creepage distance of fracture is 785mm, and creepage distance(phase to earth) : 580mm
- 14): IEC standard: IEC62271-111



<p>WENZHOU ROCKWILL ELECTRIC CO.,LTD.</p>		PROJECT: _____ APPROVED BY: _____	TITLE: _____ Size for RCM-E12N/630-20	REVISION: _____ 01	DRAWN: _____ CHECKED BY: _____ APPROVED: _____ DATE: 01/4/2025	SCALE: _____ 	SHEET NO. 1 TOTAL 1 PAGES
-------------------------------------------	--	--------------------------------------	------------------------------------------	-----------------------	-------------------------------------------------------------------------	------------------	------------------------------