

REVISION IS SUBMITTED TO/ BY:

APPROVED BY:  REVISION NO.

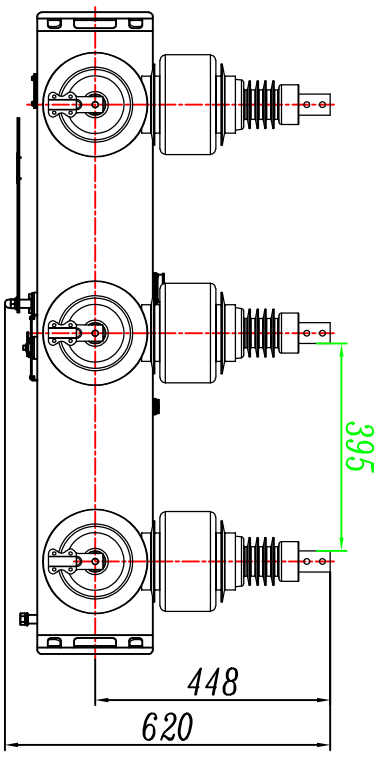
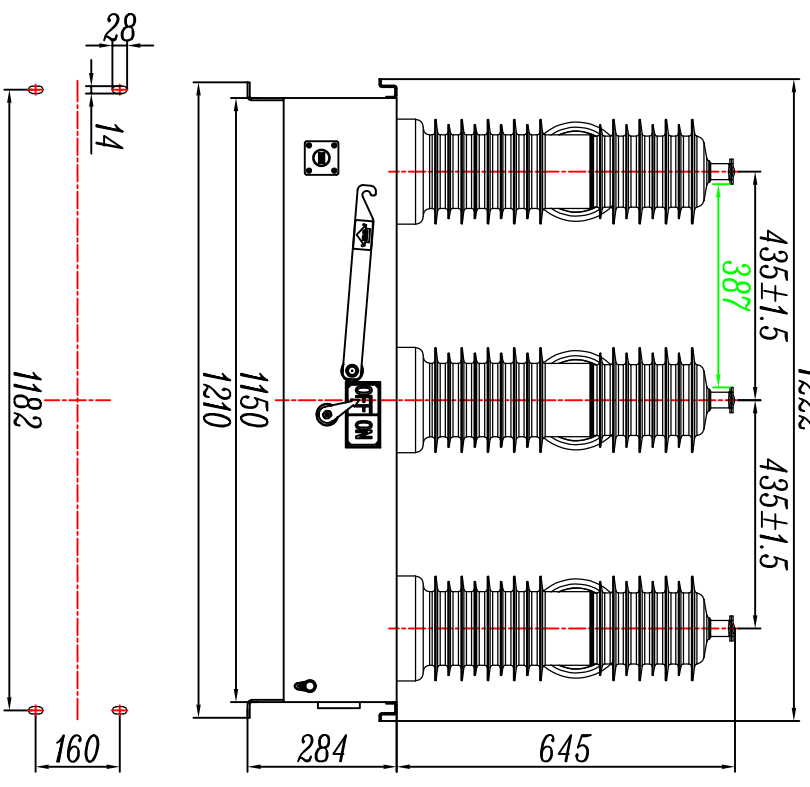
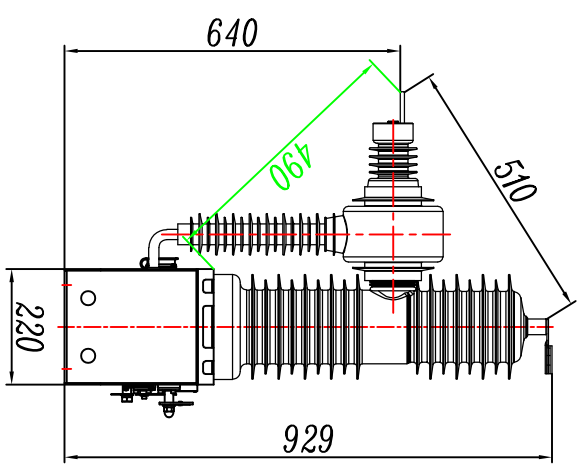
DESIGNED BY:  CHECKED BY:

DRAWN BY:  APPROVED BY:

DATE: \_\_\_\_\_

**Main Parameters :**

- 1): 38kV 630A 50Hz Vacuum Auto Recloser;
- 2): STC: 20kA/3s
- 3): BIL 170kV
- 4): With 3pcs in-built CT (400/1A)
- 5): With 3pcs voltage sensor
- 6): With controller and control cable 7m
- 7): With operation counter
- 8): Clearance between Phase to phase: >387mm
- 9): Clearance between phase to earth : >490mm
- 10): Mechanism operation voltage: DC220V
- 11): Control voltage: DC24V
- 12): Operation sequence: 0-0.5s-C0-2s-C0-5s-C0
- 13): The creepage distance of fracture is 1214mm, and creepage distance(phase to earth) :1250mm
- 14): IEC standard: IEC62271-111



<p>WENZHOU ROCKWILL ELECTRIC CO. LTD.</p>		<p>PROJECT: _____</p>	<p>APPROVED BY: _____</p>	<p>DATE: _____</p>	<p>SCALE: _____</p>	<p>SHEET NO. 1</p>					
<p>Size for RCM-E38M/630-20</p>		<p>REVISION:</p> <table border="1"> <tr> <th>NO.</th> <th>DESCRIPTION</th> </tr> <tr> <td>01</td> <td></td> </tr> </table>		NO.	DESCRIPTION	01		<p>DATE: 01/4/2025</p>		<p>DWG. NO. _____</p>	<p>Page 1: Total 1 pages</p>
NO.	DESCRIPTION										
01											