

REVISION IS SUBMITTED TO/ BY:

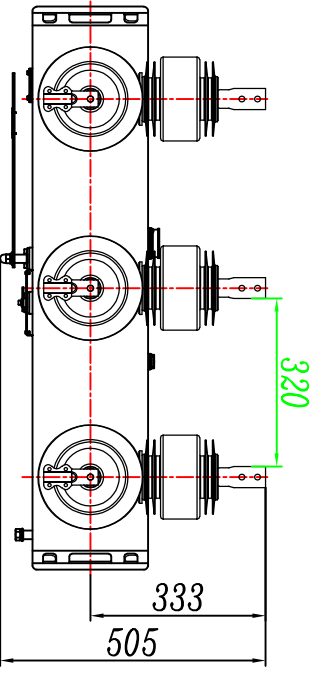
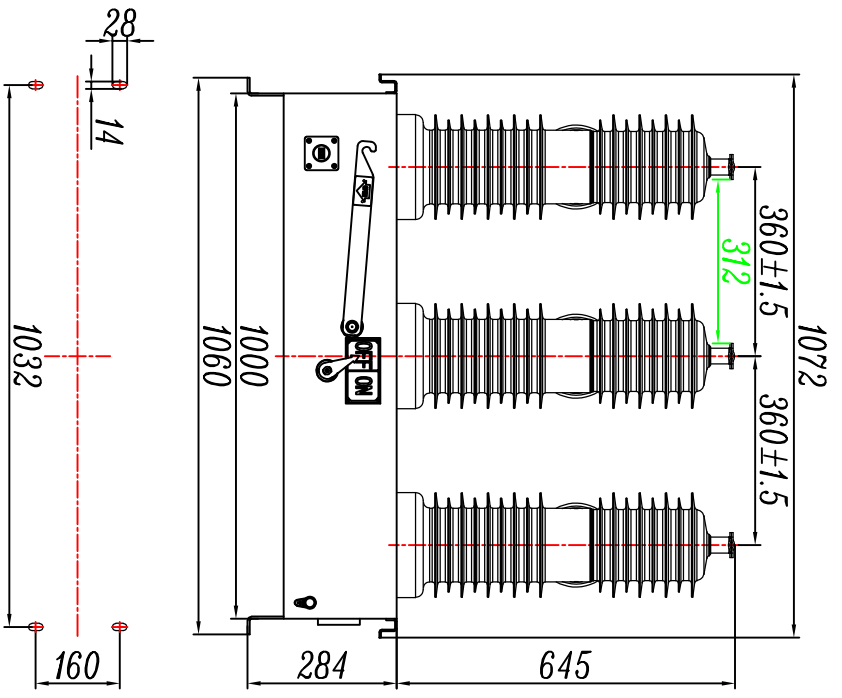
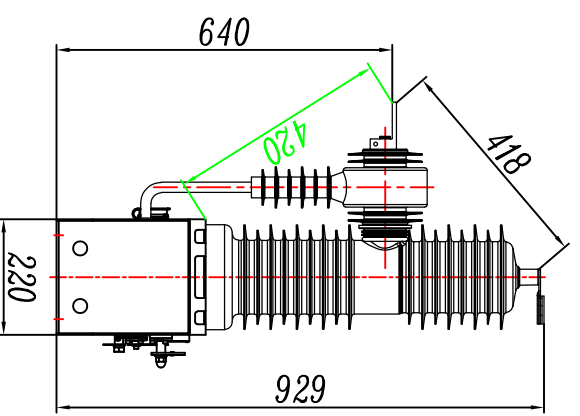
APPROVED BY:  REVISION NO.

DESIGNED BY:  CHECKED BY:

DRAWN BY:  DATE:

**Main Parameters :**

- 1): 24kV 630A 50Hz Vacuum Auto Recloser;
- 2): STC: 20kA/3s
- 3): BIL 125kV
- 4): With 3pcs in-built CT (400/1A)
- 5): With 3pcs voltage sensor
- 6): With controller and control cable 7m
- 7): With operation counter
- 8): Clearance between Phase to phase: >312mm
- 9): Clearance between phase to earth : >420mm
- 10): Mechanism operation voltage: DC220V
- 11): Control voltage: DC24V
- 12): Operation sequence: 0-0.5s-C0-2s-C0-5s-C0
- 13): The creepage distance of fracture is 1085mm, and creepage distance(phase to earth) :590mm,
- 14): IEC standard: IEC62271-111



PROJECT:		APPROVED BY:		TITLE:	
Size for RCW-E24M/630-20					
REVISION:		SCALE:		SHEET NO.:	
01				1	
DATE: 01/4/2025		DWG. NO.:		CONT. NO.:	
				1	
Page 1: Total 1 pages					