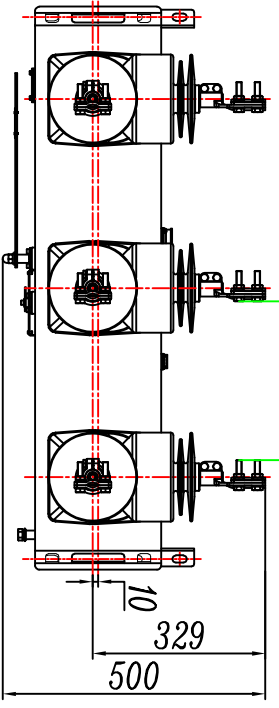
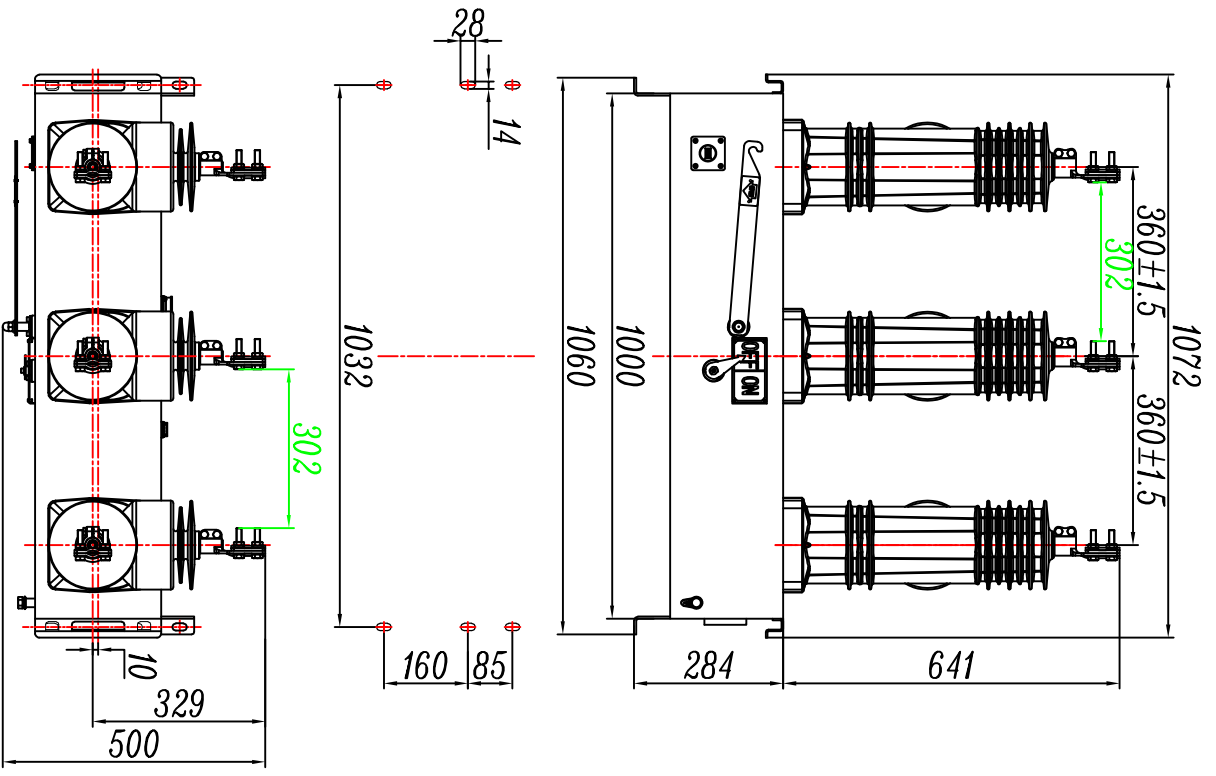
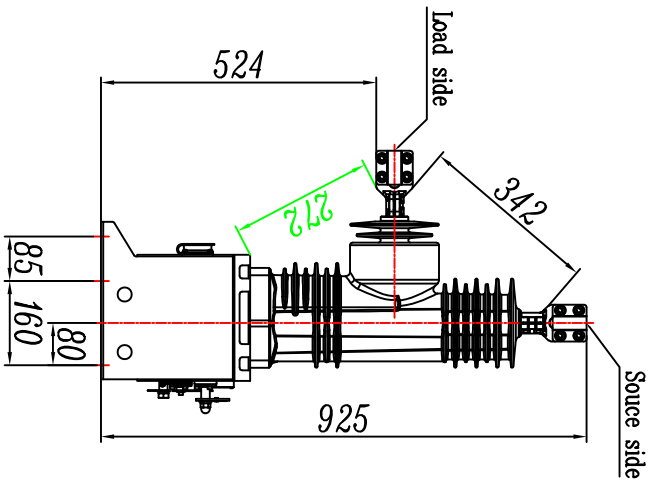


REVISION IS SUBMITTED TO/ BY:

APPROVED BY:	REVISION NO.:
<input type="checkbox"/> REWORK	<input type="checkbox"/> REVISION
<input checked="" type="checkbox"/> APPROVED BY CUSTOMER	<input type="checkbox"/> REVISION
<input type="checkbox"/> APPROVED BY DESIGNER	<input type="checkbox"/> REVISION
DATE:	DATE:

Main Parameters :

- 1): 24kV 630A 50Hz Vacuum Auto Recloser;
- 2): STC: 20kA/3s
- 3): BIL 125kV
- 4): With 3pcs in-built CT (400/1A)
- 5): With 3pcs voltage sensor
- 6): With controller and control cable 7m
- 7): With operation counter
- 8): Clearance between Phase to phase: >302mm
- 9): Clearance between phase to earth : >272mm
- 10): Mechanism operation voltage: DC220V
- 11): Control voltage: DC24V
- 12): Operation sequence: 0-0.5s-C0-2s-C0-5s-C0
- 13): The creepage distance of fracture is 885mm, and creepage distance(phase to earth) : 774mm
- 14): IEC standard: IEC62271-111



<p>WENZHOU ROCKWILL ELECTRIC CO.,LTD.</p>		PROJECT:	APPROVED BY:	TT12	NO.:	DATE:	SCALE:	SHEET NO.:
				Size for RCW-F24M/630-20	01	01/14/2025		1
								Page 1: Total 1 pages